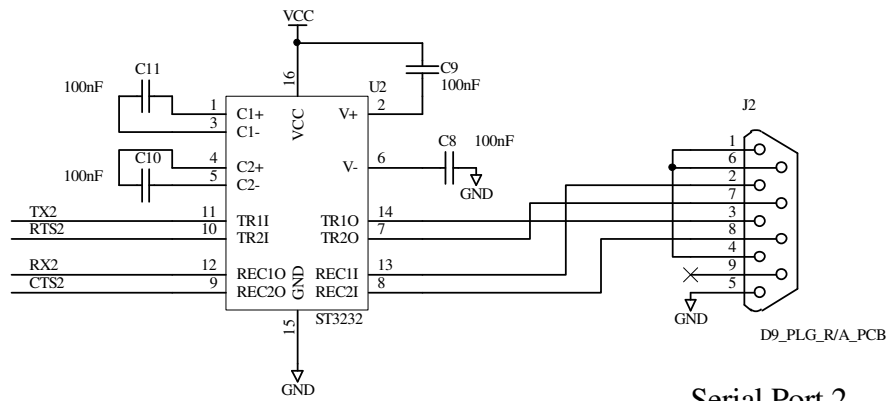
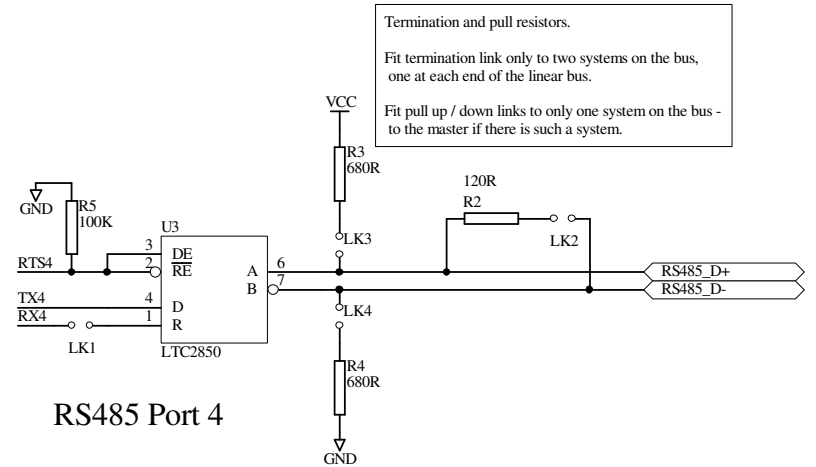


Serial Port 1



Serial Port 2

Note: the 100nF capacitors for the charge pumps must be at least 100nF over the whole tolerance and temperature range. It may make sense to use a larger value, e.g. 220nF here instead.



RS485 Port 4

HALF DUPLEX RS485 PORT WITH TERMINATION AND PULL UP/DOWNS

Termination and pull resistors.

Fit termination link only to two systems on the bus, one at each end of the linear bus.

Fit pull up / down links to only one system on the bus - to the master if there is such a system.

