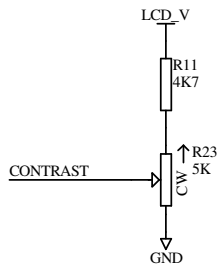


These circuits will connect any display based on the HD44780U (and its many equivalents) to the VM2.

Connectors are shown to suit popular LCD pinouts. Most likely your display will fit one of these.

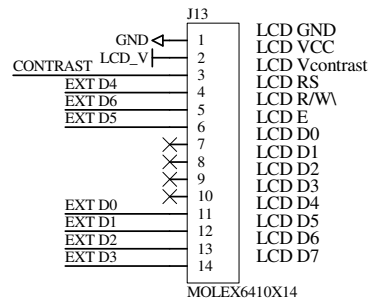
The relationship between VM2 bus connections and LCD signals is shown for the SIL connector - but applies to all.

Note: many displays are 5V powered, whereas the VM2 is powered by 3.3V. LCD_V is used to represent the correct voltage for the LCD you are using. It is usually OK to connect a 5V LCD to the VM2. If you are not using a display based on the HD44780U driver IC you should check the Vih level for the controller IC on your display: The VM2 will drive the inputs to 3.3V.

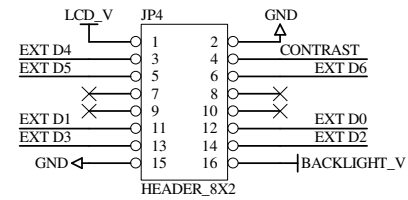


CONTRAST CCT

On many displays the contrast voltage can simply be connected to GND.

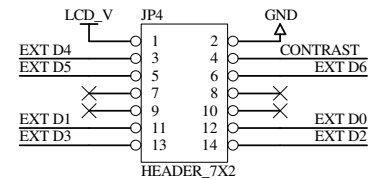


ALPHALCD SIL CONNECTOR



ALPHALCD REVERSE DIL IDC CONNECTOR - 16-PIN

This pinout is for DIL connectors to an LCD where a transition connector has been soldered in to the BACK side of the LCD unit.



ALPHALCD REVERSE DIL IDC CONNECTOR - 14 PIN

This pinout is for DIL connectors to an LCD where a transition connector has been soldered in to the BACK side of the LCD unit.