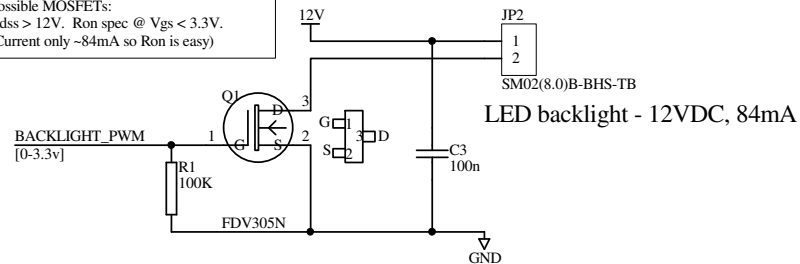
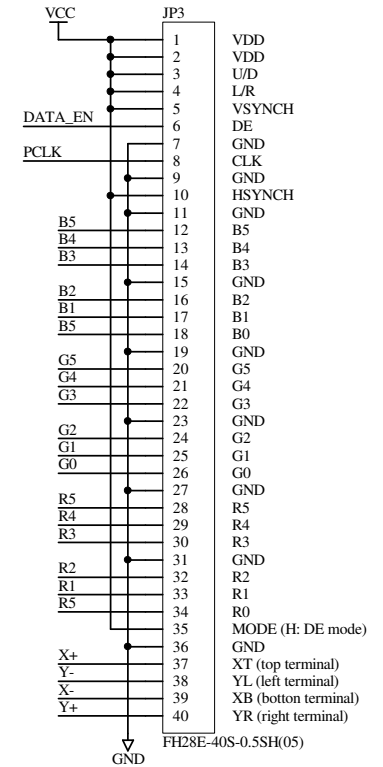
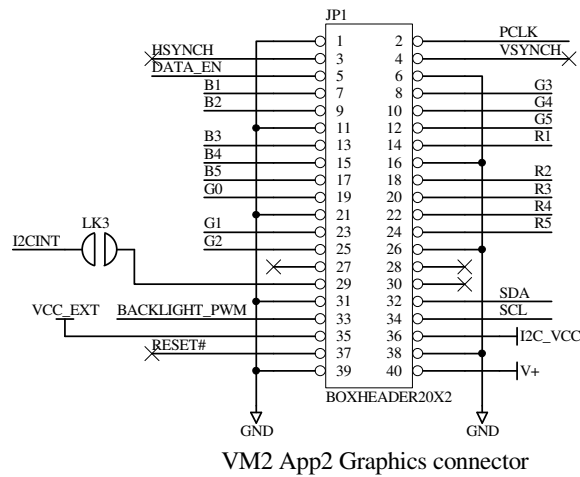


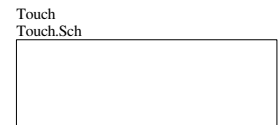
Possible MOSFETs:  
 $V_{dss} > 12V$ . Ron spec @  $V_{gs} < 3.3V$ .  
 (Current only ~84mA so Ron is easy)



ON/OFF and PWM control of backlight brightness



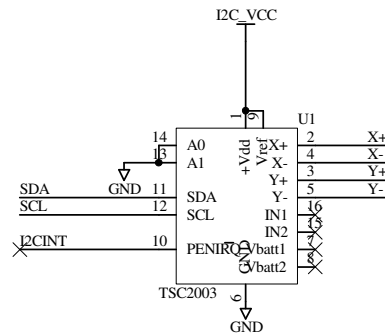
Footprint of this connector is reversed compared to the LCD: Pin 1 is on the RHS when looking into the connector.



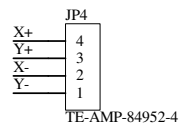
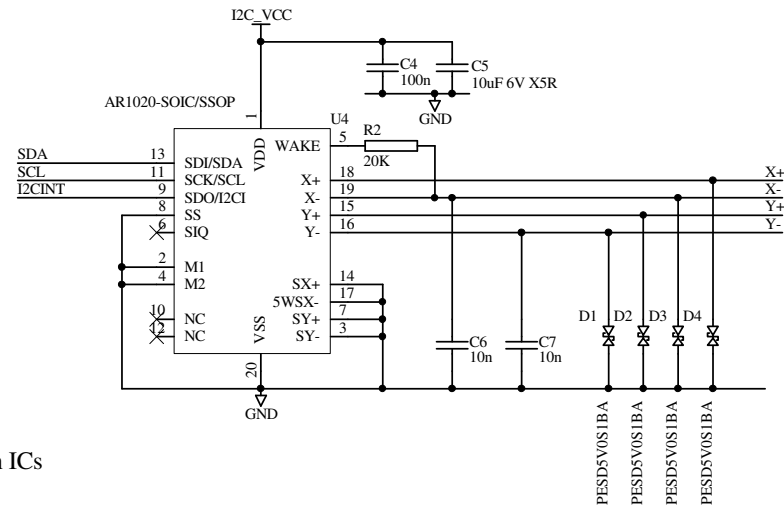
History:  
 Iss B:  
 Removed R/C on CLK line; Swapped X and Y on touchscreen.  
 Added alternative touch connector.

LCDs supported: TX14D22VM1BPA, TX14D23VM5BPA

<b>VM2 DA3</b>		Micro-Robotics Ltd. The Old Maltings 135 Ditton Walk Cambridge CB5 8QB Tel. +44 (0) 1223 523100
Revision:	Iss B	
Date:	23-Mar-2015 12:26:45	
Sheet 1 of 2		



Alternative Touch screen ICs



Alternative Touch screen connector

FCC connector. 4-way, 1mm pitch.  
Bottom contact, Right angle.