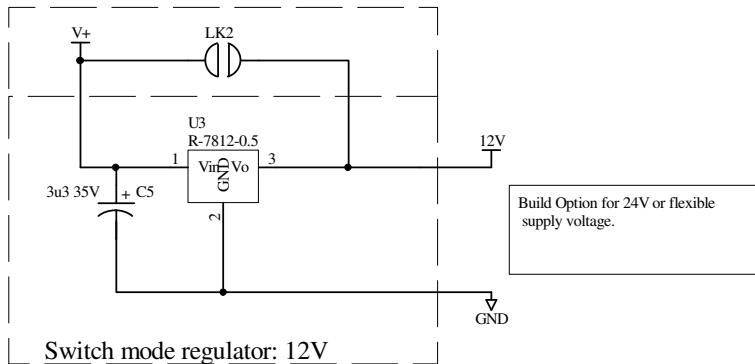
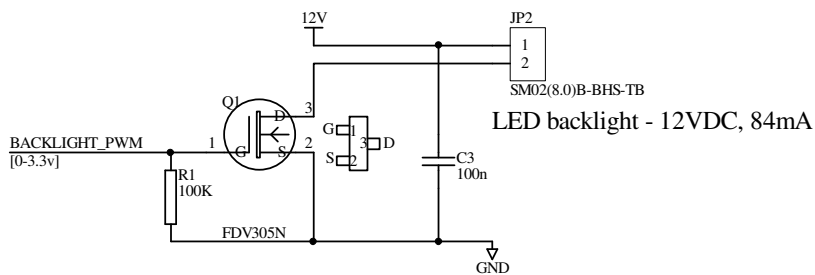


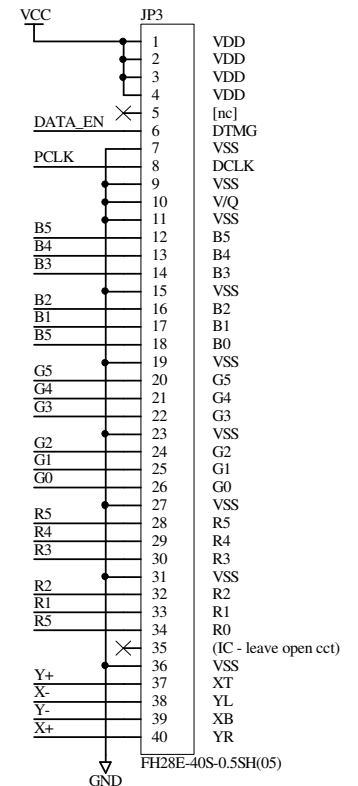
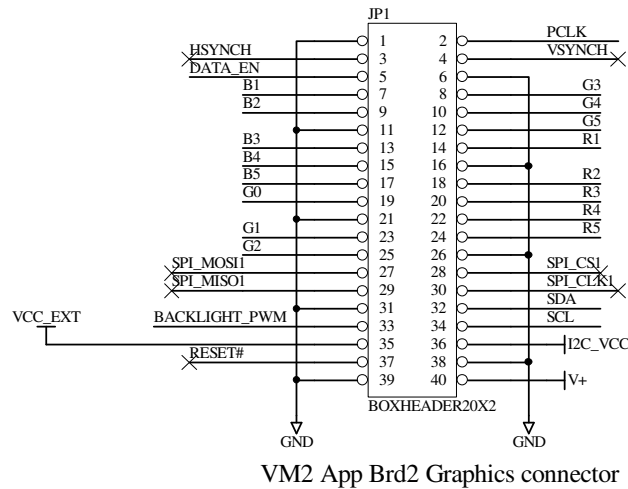
Switch mode regulator: 3.3V



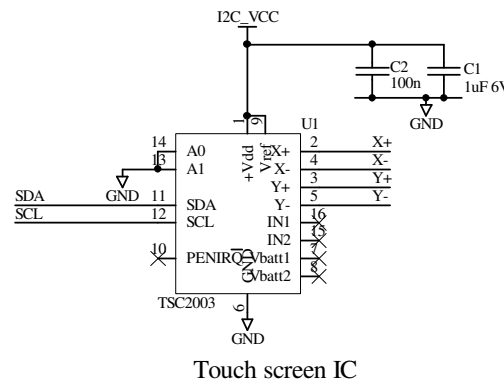
Switch mode regulator: 12V



ON/OFF and PWM control of backlight brightness



Footprint of this connector is reversed compared to the LCD: Pin 1 is on the RHS when looking into the connector.



LCDs supported:
TX14D12VM1CPC
TX14D16VM1CPC