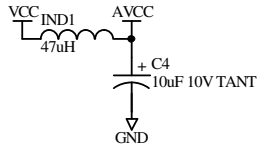
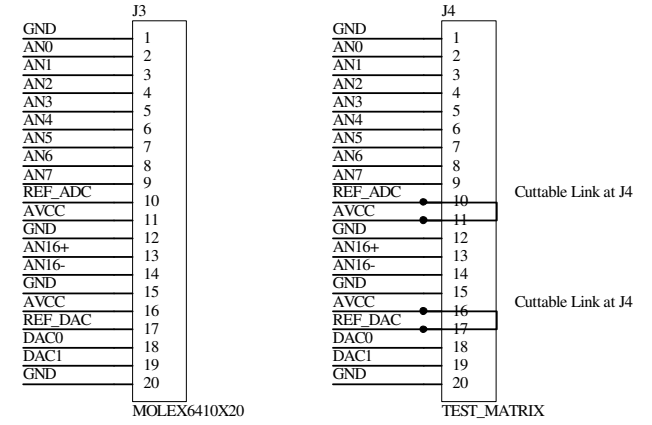
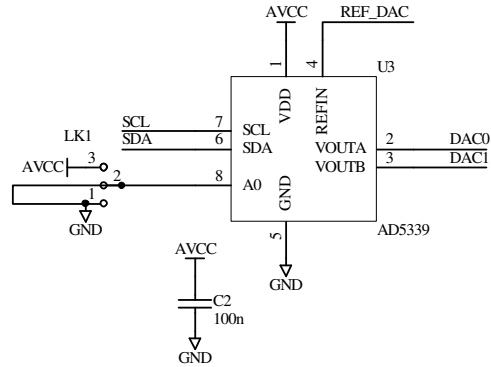


Analogue I/O Port

I2C Addressing:
 AD5339 Address:
 0001 10A0 == \$18, \$1A. == 24, 26.
 AD7998-0 Address:
 xx = 00, 01, 10
 0100 0xx0 == \$40, \$42, \$44. == 64, 66, 68.
 MC3421 A0 Address:
 1101 0000 == \$D0 == 208.

Cuttable link under LK1. 1,2



I2C Bus

